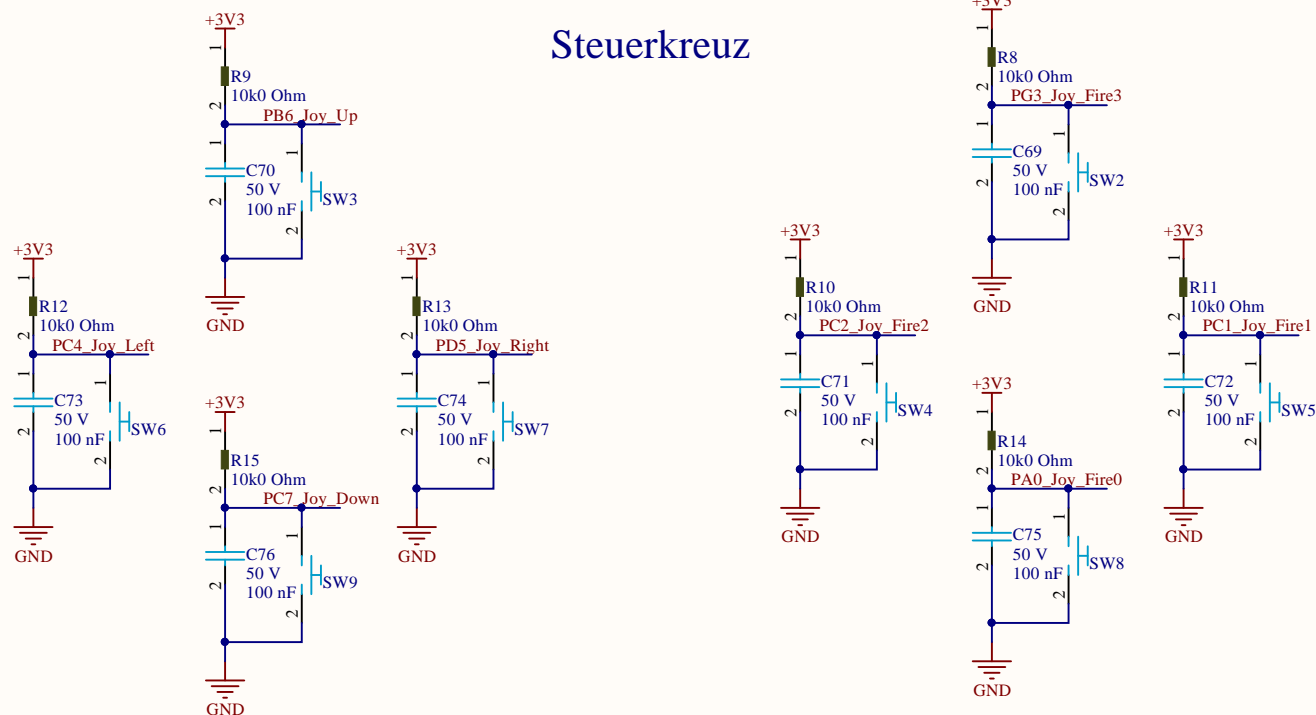
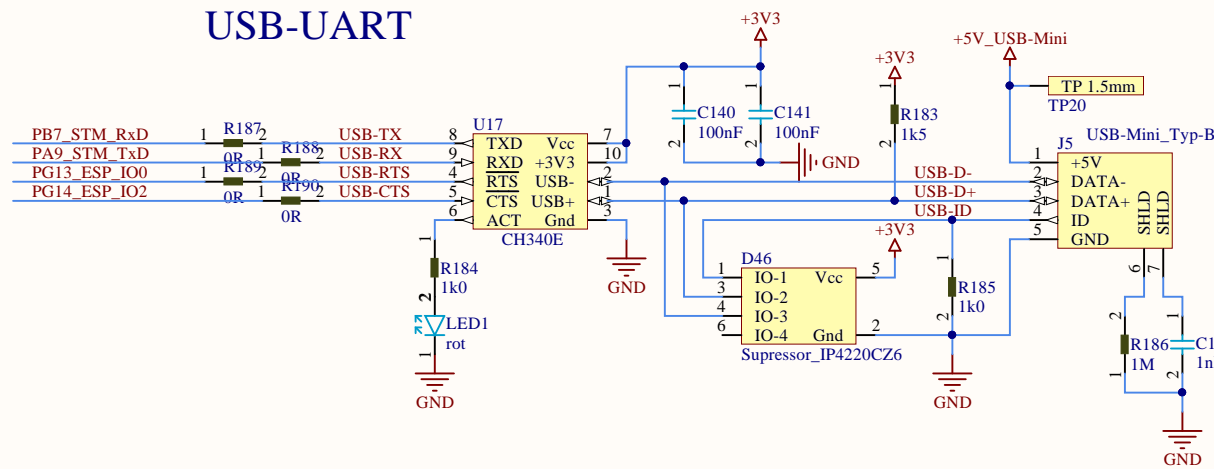
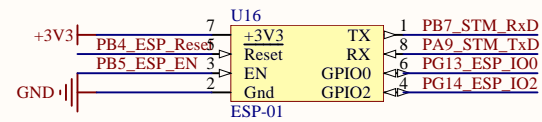
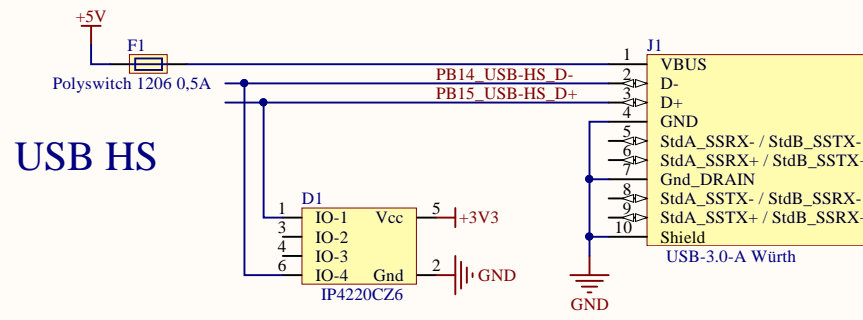


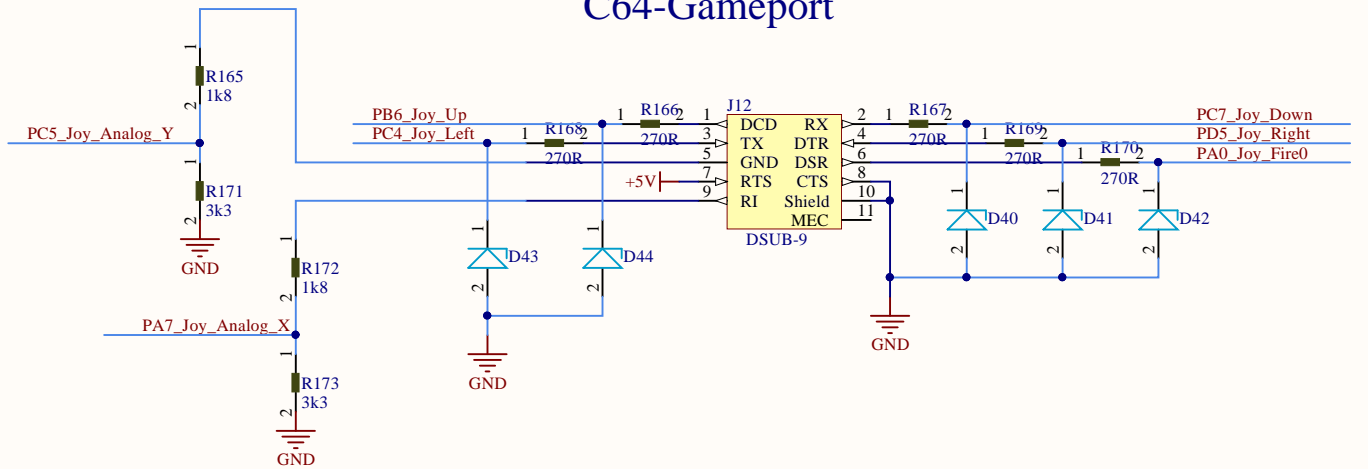
- MNT1  
M3  
Mounting Hole M3
- MNT2  
M3  
Mounting Hole M3
- MNT3  
M3  
Mounting Hole M3
- MNT4  
M3  
Mounting Hole M3

- MEC1  
Gamepad  
Steuerkreuz Positionen
- MEC2  
Gamepad  
Steuerkreuz Positionen

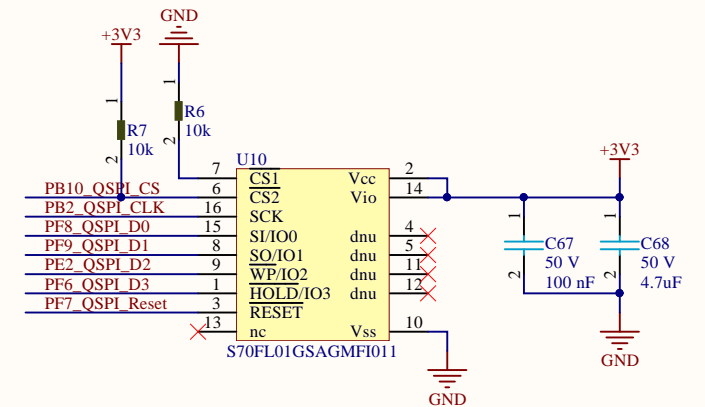
- FID1  
Fiducial  
Fiducial 1mm/3mm
- FID2  
Fiducial  
Fiducial 1mm/3mm
- FID3  
Fiducial  
Fiducial 1mm/3mm
- FID4  
Fiducial  
Fiducial 1mm/3mm
- FID5  
Fiducial  
Fiducial 1mm/3mm
- FID6  
Fiducial  
Fiducial 1mm/3mm



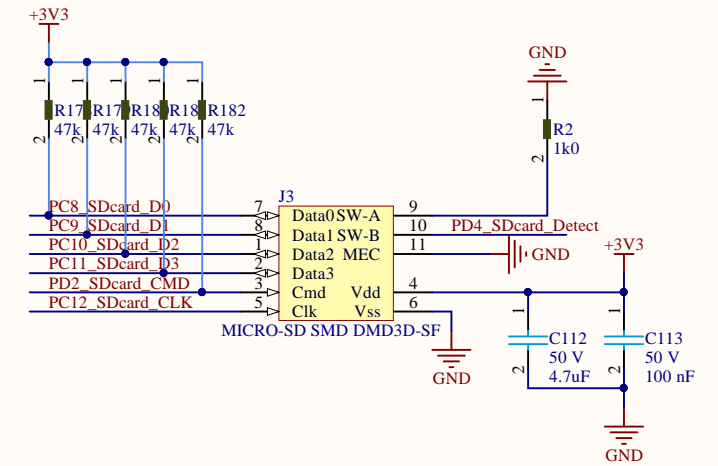
### C64-Gameport



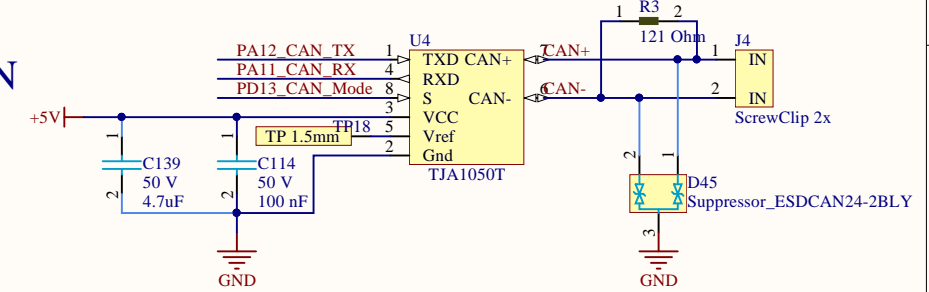
### Quad-SPI



### SD-Karte



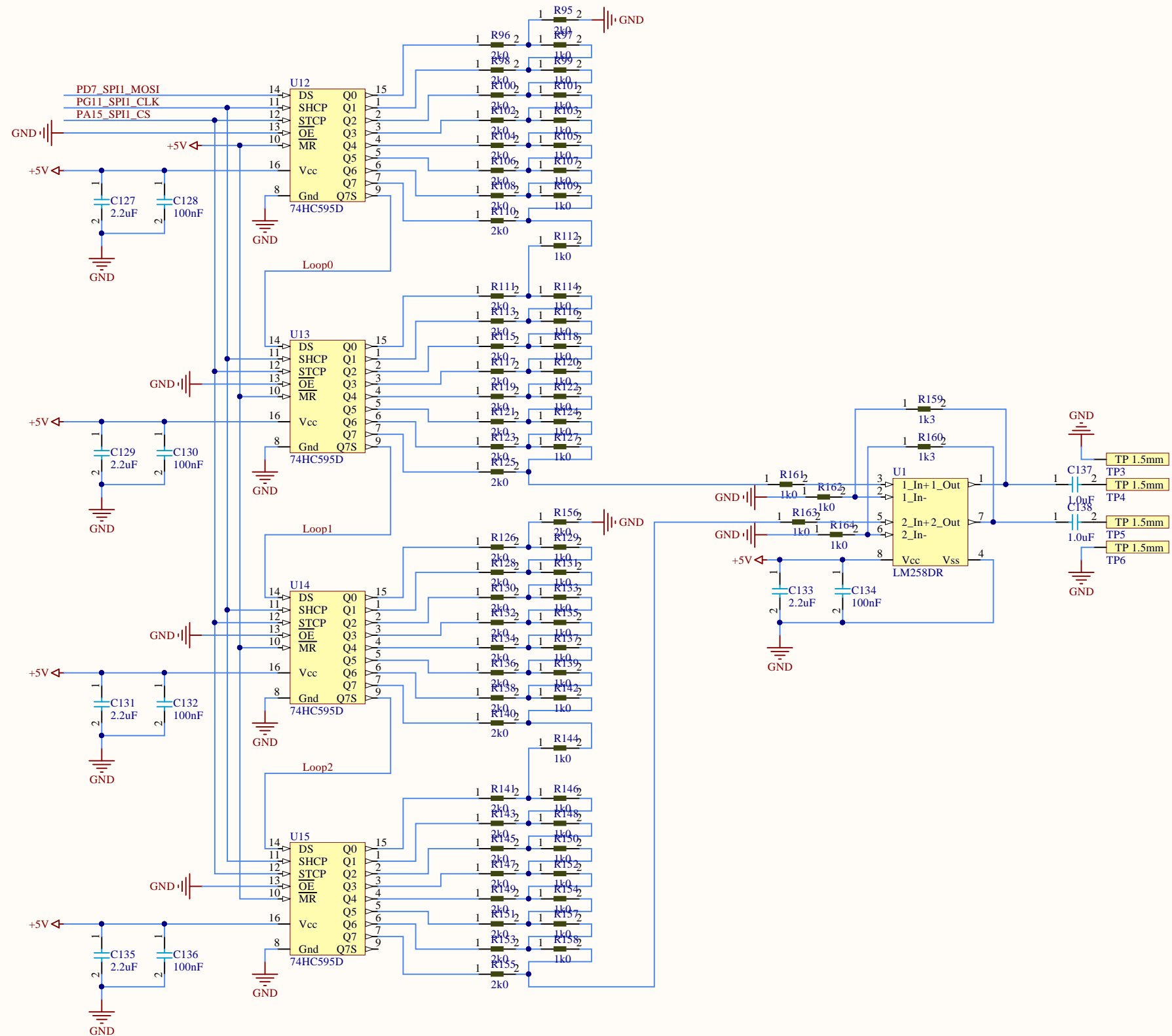
### CAN



Title		
Size	Number	Revision
A3		
Date:	08.12.2019	Sheet of
File:	Z:\PCB\...\STM32H7-Disco.SchDoc	Drawn By:

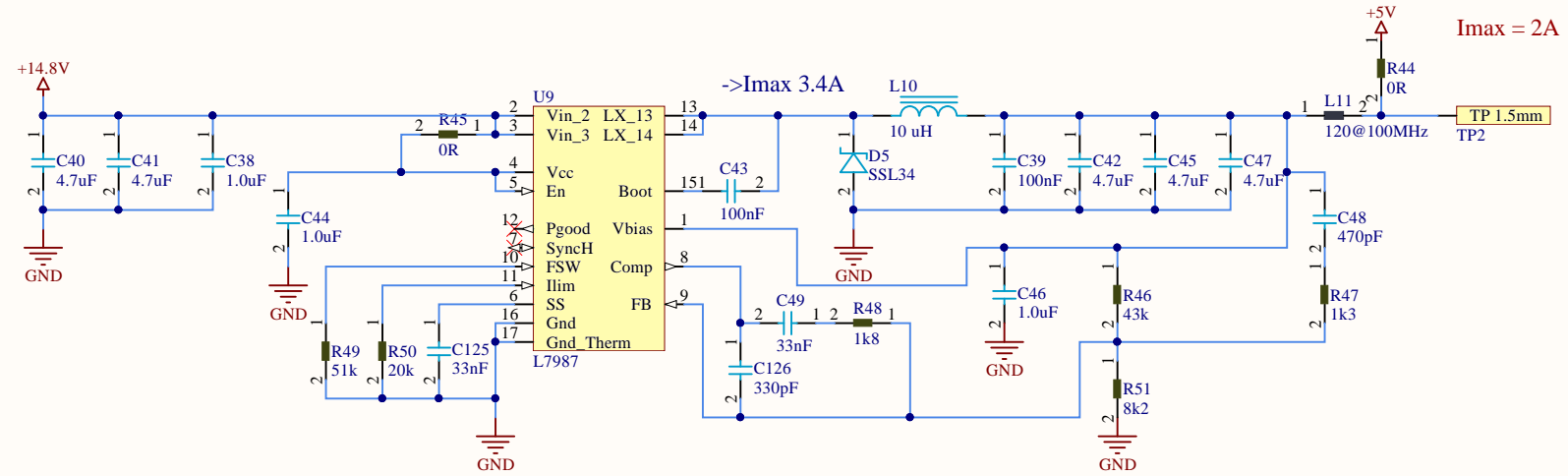
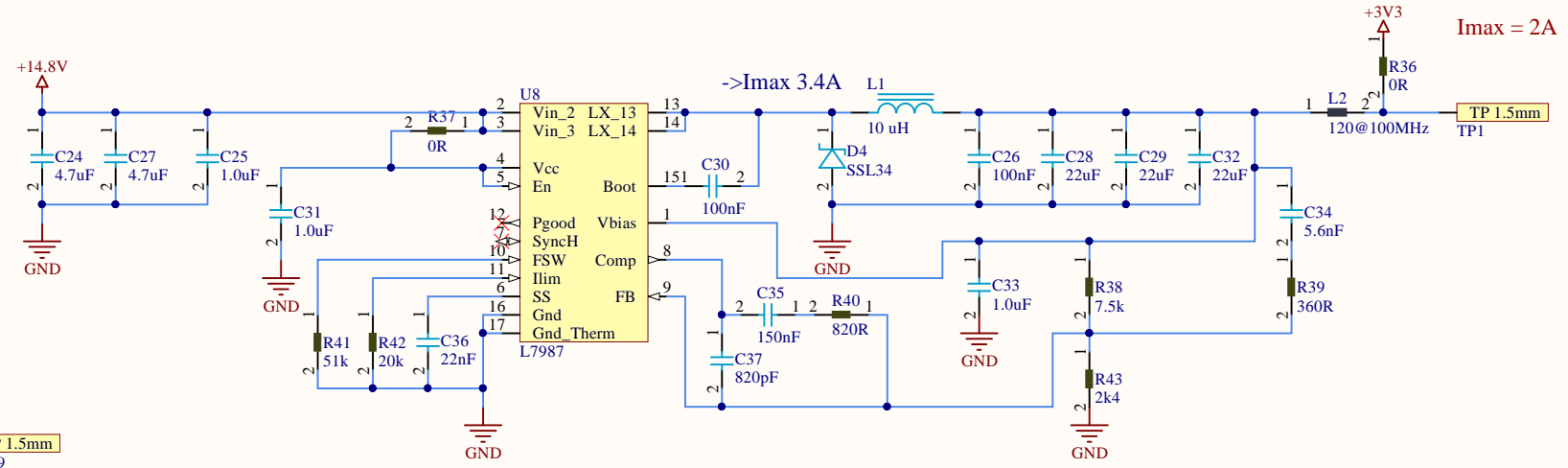
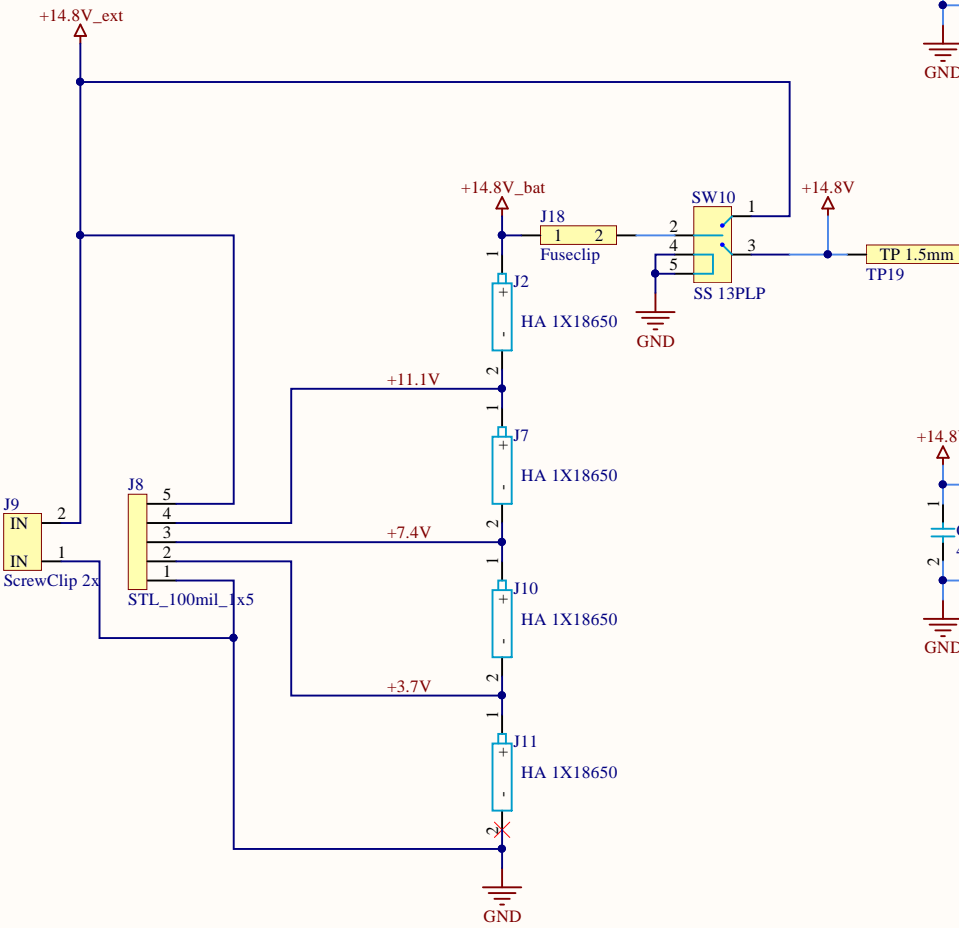
# Audio\_Out

PG9\_SPI1\_MISO

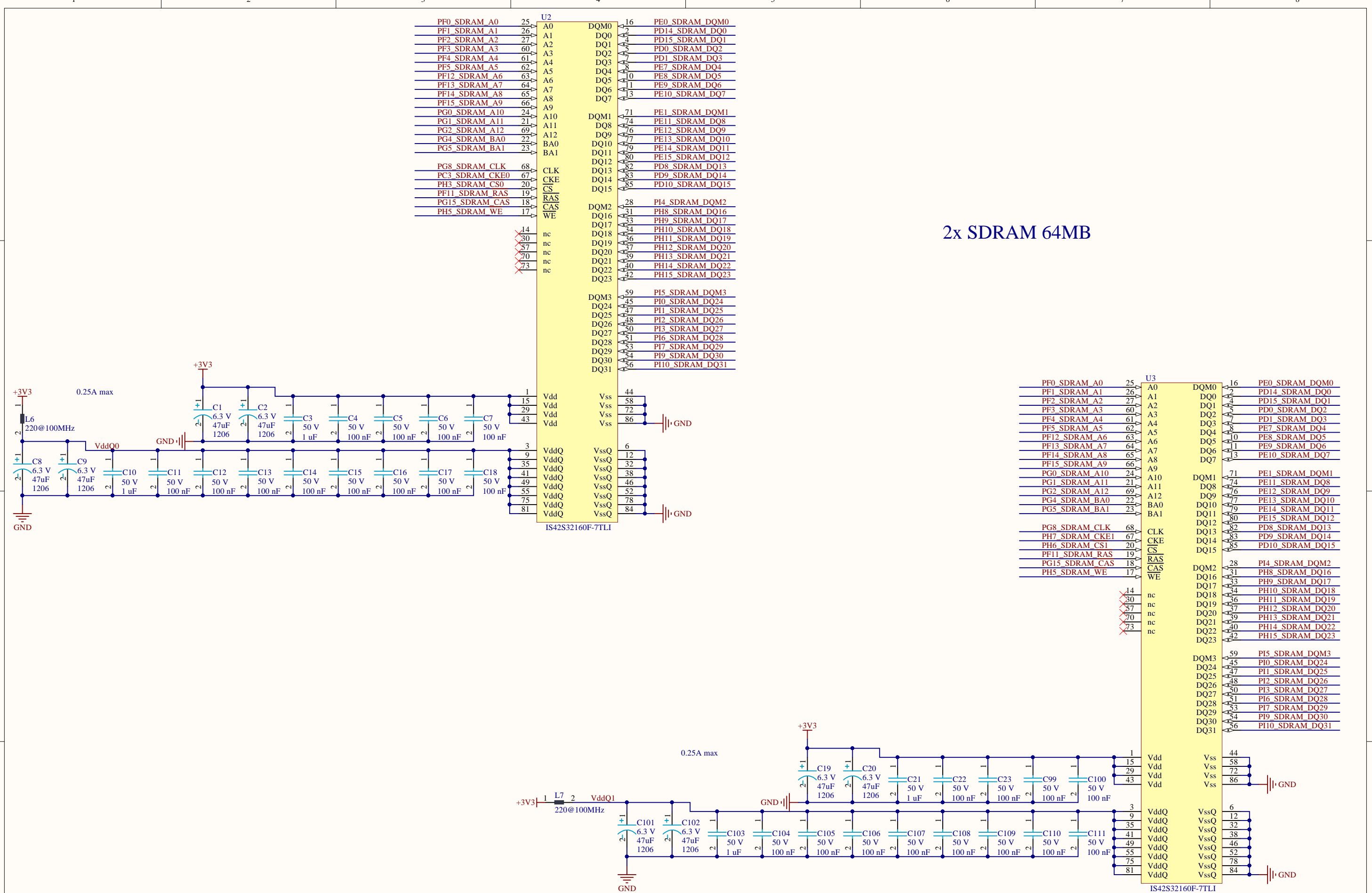


Title		
Size	Number	Revision
A3		
Date:	08.12.2019	Sheet of
File:	Z:\PCB\...\Audio_74HC595.SchDoc	Drawn By:

12 bis 16.8 Volt Batteriespannung  
4x 18650 Li-Ion

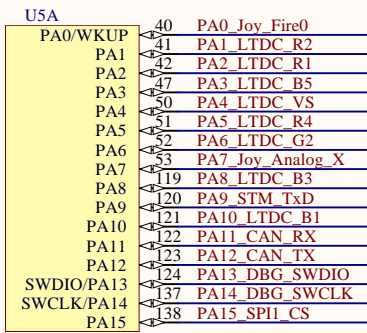


Title		
Size	Number	Revision
A3		
Date:	08.12.2019	Sheet of
File:	Z:\PCB\...\Power_DCDC.SchDoc	Drawn By:

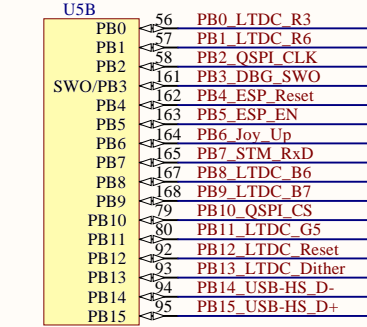


2x SDRAM 64MB

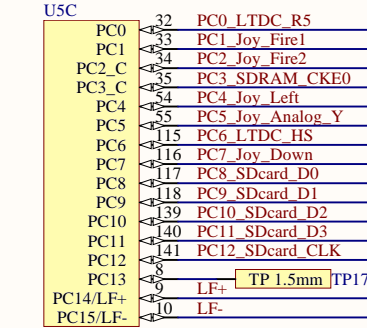
Title		
Size	Number	Revision
A3		
Date:	08.12.2019	Sheet of
File:	Z:\PCB\...\SDRAM.SchDoc	Drawn By:



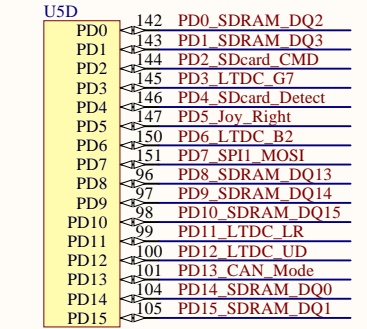
IC00043  
STM32H743IIT6



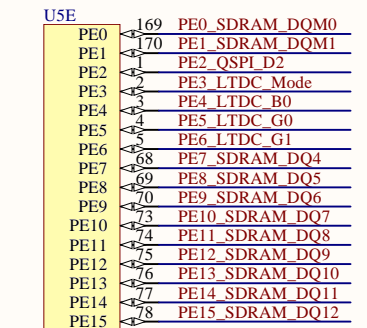
IC00043  
STM32H743IIT6



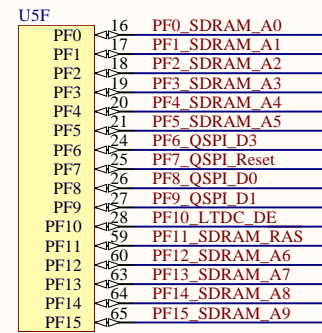
IC00043  
STM32H743IIT6



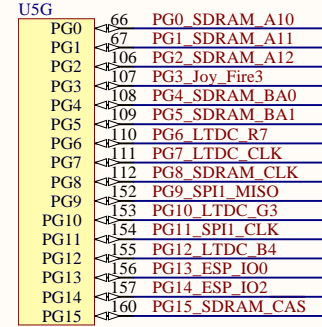
IC00043  
STM32H743IIT6



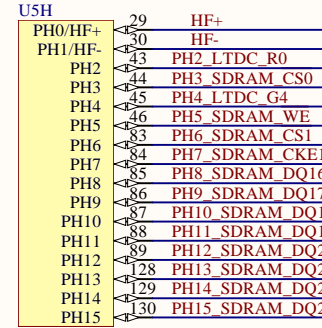
IC00043  
STM32H743IIT6



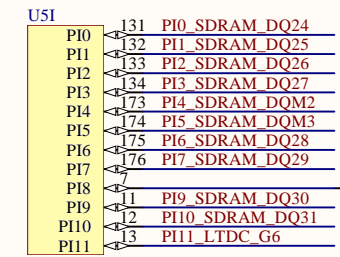
IC00043  
STM32H743IIT6



IC00043  
STM32H743IIT6

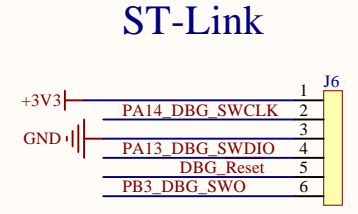
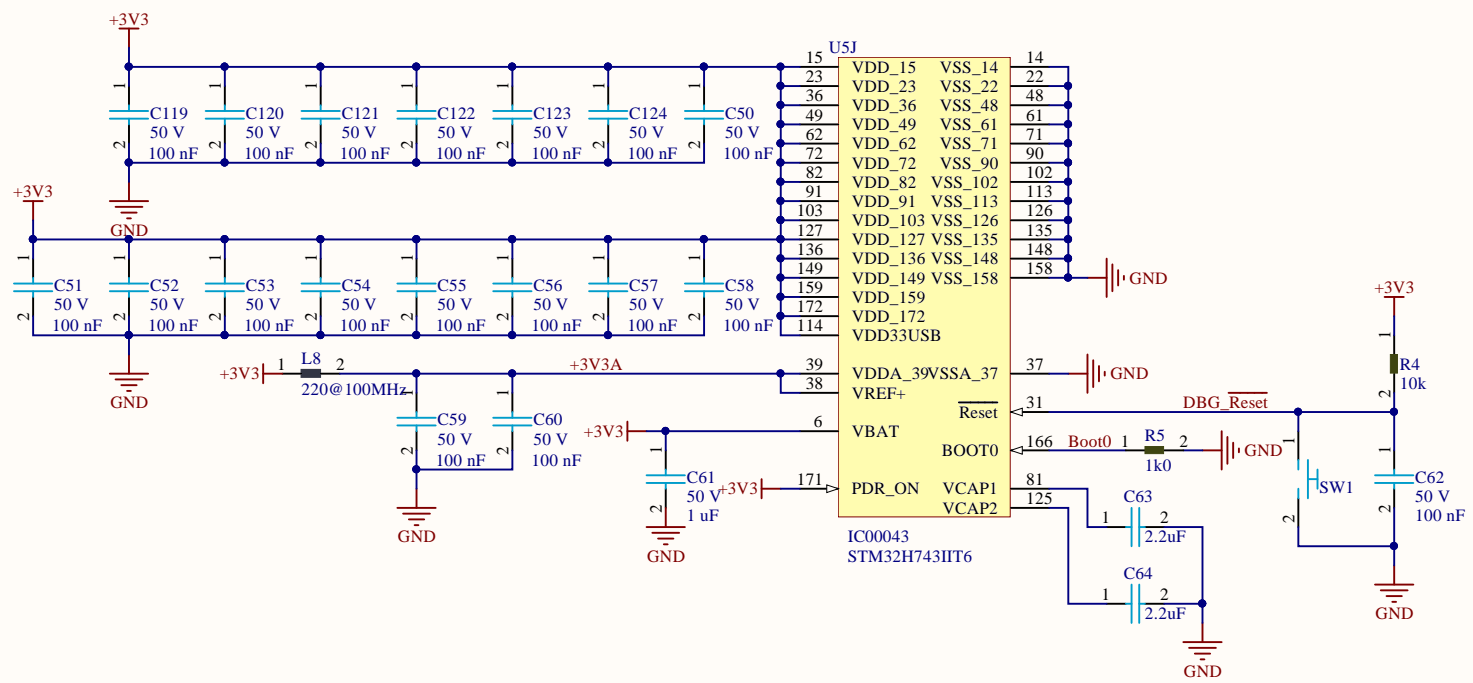
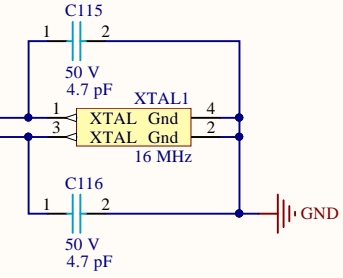
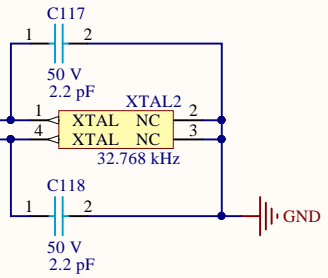


IC00043  
STM32H743IIT6



IC00043  
STM32H743IIT6

TP 1.5mm TP16

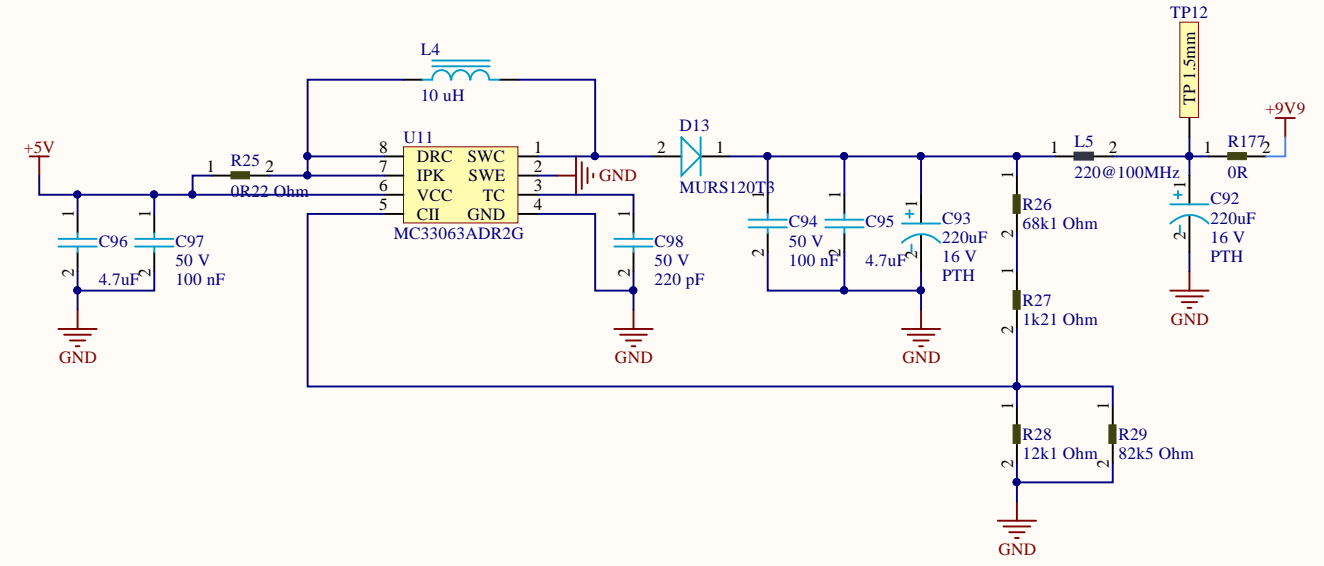
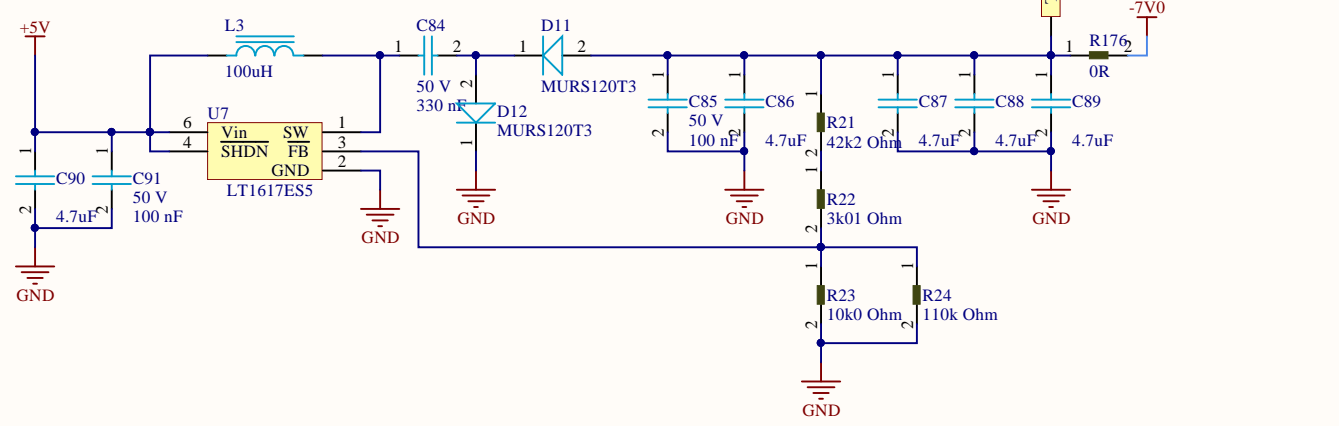
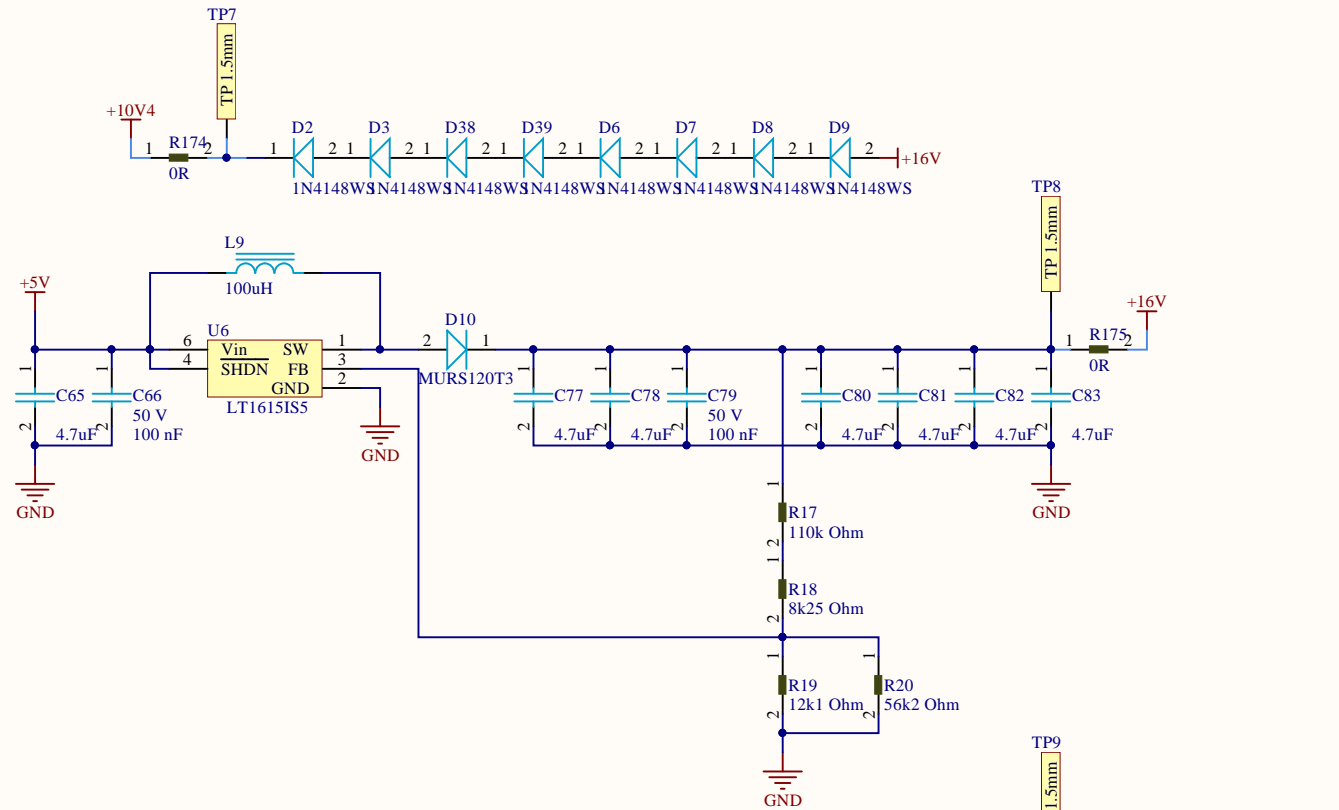
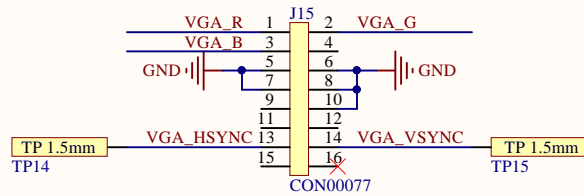
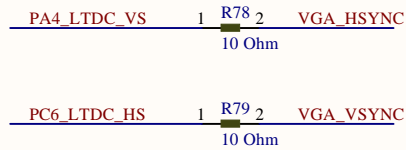
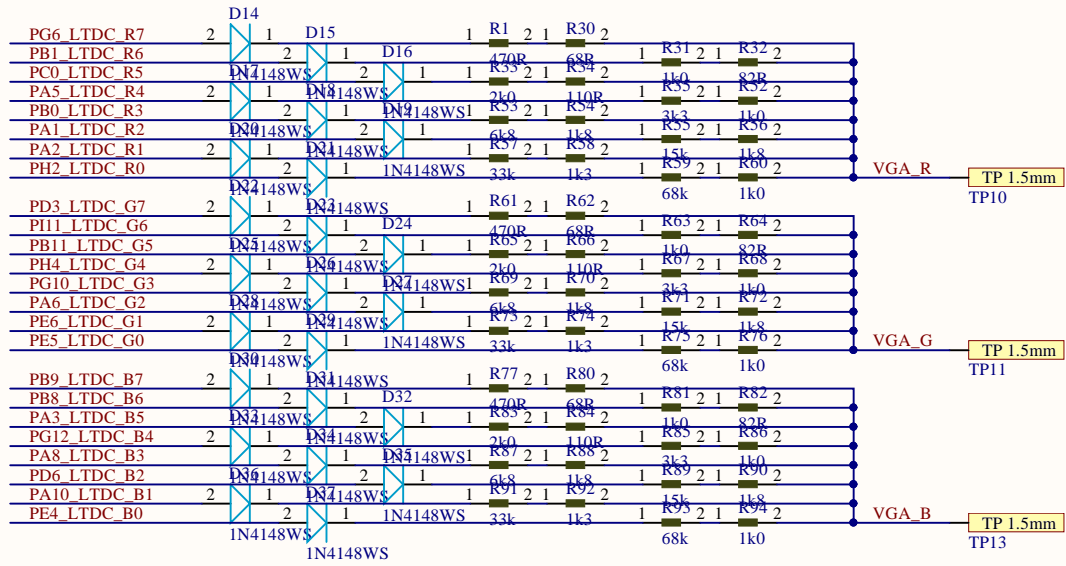


Title		
Size	Number	Revision
A3		
Date:	08.12.2019	Sheet of
File:	Z:\PCB\..\STM32H743IIT.SchDoc	Drawn By:

TFT1  
TFT 7"  
AT070TN92  
Opt00003

PG6_LTDC_R7	28	J14	R7	Vcom	6	+3V8	?(10 mA)	+3V8	R16	2	+3V3
PB1_LTDC_R6	29	R6	Vcom	46					OR		
PC0_LTDC_R5	30	R5	Vgh	41	+16V	1 mA					
PA5_LTDC_R4	31	R4	Vgl	42	-7V0	1 mA					
PB0_LTDC_R3	32	R3									
PA1_LTDC_R2	33	R2									
PA2_LTDC_R1	34	R1									
PH2_LTDC_R0	35	R0	AVDD	43	+10V4	50 mA					
			DVDD	7	+3V3	10 mA					
PD3_LTDC_G7	20	G7	GND	5							
PI11_LTDC_G6	21	G6	GND	36							
PB11_LTDC_G5	22	G5	GND	38							
PH4_LTDC_G4	23	G4	GND	48							
PG10_LTDC_G3	24	G3	GND								
PA6_LTDC_G2	25	G2	Shield	51							
PE6_LTDC_G1	26	G1	Shield	52							
PE5_LTDC_G0	27	G0									
PB9_LTDC_B7	12	B7	LED+	1	+9V9	200 mA					
PB8_LTDC_B6	13	B6	LED+	2							
PA3_LTDC_B5	14	B5	LED-	3							
PG12_LTDC_B4	15	B4	LED-	4							
PA8_LTDC_B3	16	B3									
PD6_LTDC_B2	17	B2		45							
PA10_LTDC_B1	18	B1		49							
PE4_LTDC_B0	19	B0		50							
PA4_LTDC_VS	10	VS									
PC6_LTDC_HS	11	HS									
PG7_LTDC_CLK	37	DCLK									
PF10_LTDC_DE	9	DE									
PE3_LTDC_Mode	8	MODE									
PD12_LTDC_UD	40	U/D									
PD11_LTDC_LR	39	L/R									
PB13_LTDC_Dither	47	DITHB									
PB12_LTDC_Reset	44	Reset									

FH12A-50S-0.5SH(55)



Title		
Size	Number	Revision
A3		
Date:	08.12.2019	Sheet of
File:	Z:\PCB\...\TFT_800x480.SchDoc	Drawn By: